

Product Safety, Quality and Productivity



Designed for the inspection of small and medium size packages in food and pharmaceutical applications. The X2 Series offers exceptional contaminant detection to help produce safe products, and tools to improve quality and productivity. Available in the X12 and X32, with four line-length configurations and a wide range of options.

Helping to meet compliance and retail standards, the X2 goes well beyond metal detection to detect shards of glass, stones, bones and several low-density materials.

Production quality is improved through a wide range of tools that can check product shape, integrity, mass and completeness.

Advanced ContamPlus™ software reduces production waste by delivering minimal false rejects.

The intuitive user interface allows for quick product changeovers without the need for complex operator training.

A Wide Range of Configurations

Ideal for Any Inspection Requirements and Budget

Comprehensive contamination detection for any production line requirements.

- **The X2 Platform consists of two models: X12 and X32**
- **Available in 800, 1300, 1800 and 2000 mm line lengths**
- **Wide number of options to meet retail specifications and multi-lane configurations**

Maximizing Product Safety

With a cutting edge range of Hi-Gain detectors the X2 can detect:

- Metal from 0.3 mm
- Shards of glass <2 mm and
- Stones, bones and several low-density materials

Improved Product Quality

Built-in capabilities for product quality checks, such as:

- Missing and broken products,
- Product trapped in seal
- Zoned mass measurement
- Mass measurement,
- Product length, width, area and volume

Achieve Compliance

Fulfill retailers' requirements with reject and bin monitoring and controlled access to rejected goods. Individual images are stored for each product during production to fully support quality processes.

Improve Productivity

While achieving cutting edge detection, the proprietary ContamPlus™ software delivers minimal false reject rates, reducing production waste.

Ease of Set-up and Changeover

Add a new product with just a few passes, no complicated set-ups or extensive training. Every product is then stored and easily recalled for smooth and fast product changeovers.

Maximum Uptime

Outstanding reliability and performance, to maximize uptime and reduce total cost of ownership.

Rejectors Bin Configuration

In addition to the bin options available, all X2 models can work with customer-provided receptacles and standard Euro-boxes.

High Performance Range

X12 high performing single-lane x-ray inspection at an incredible price point.

X32 advanced x-ray solution available in standard and custom configurations, with single or multi-lane capabilities and integrity checks for outstanding detection performance.

Expert Partnership

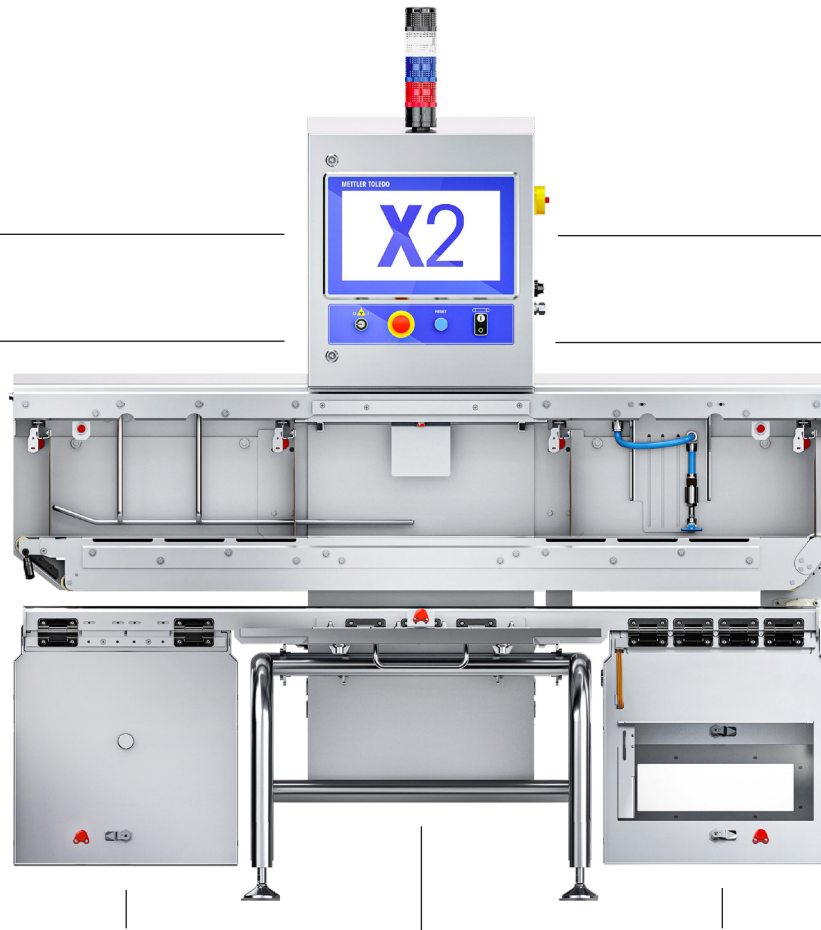
With over 20 years of experience and thousands of solutions globally, we support our customers from day one, through to integration and servicing. Our systems offer excellent performance and lasting value throughout their lifecycle.

IP65, IP66 and IP69 ingress protection

High quality subsystems for outstanding production uptime

Easy line integration with lead-free and low friction curtains and guide rails

Front access to the production line for fast cleaning and toolless belt and curtain removal



Large display with intuitive operation for minimal operator training

Wide range of product handling options

Cutting-edge detection with Hi-Gain technology

Compliance with most stringent retail requirements

Durable body in stainless steel 304

Wide range of pre-configured and customized options

Real-time monitoring of all safety devices

Line Length Configurations

800 mm



Designed for areas with limited line space, this compact system comprises only the inspection system and signals that allow easy connection to an external reject device.

1300 mm

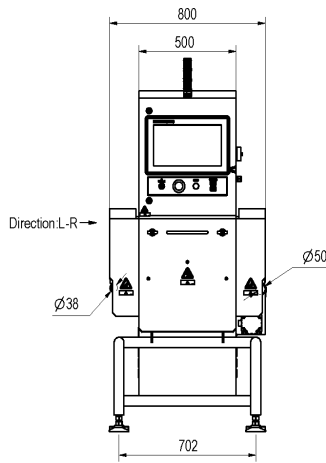


A short system designed with an integrated rejecter receptacle that can be equipped with several rejecting devices like air blast or pusher to suit any application.

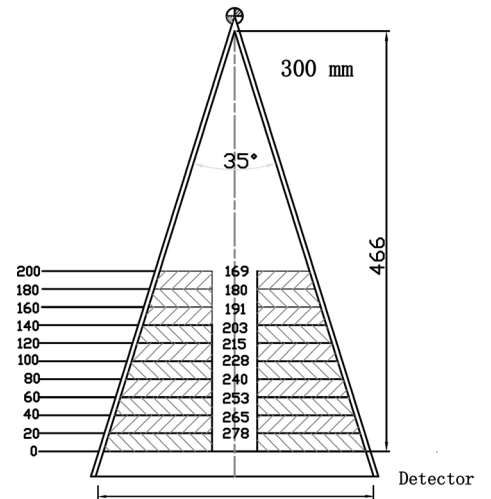
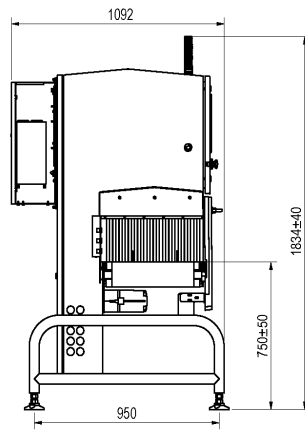
1800 and 2000 mm



A longer model designed to allow prolonged product transfer on the infeed. Integrated rejecter can be equipped with several rejecting devices, to suit any application.



800mm, X2 Short System Diagram



Product width
X2 Beam Size Diagram

Specification Table

Feature	X12	X32
Contamination Detection	Metal from 0.3 mm, Shards of glass <2 mm and stones, bones and several low-density materials*	
Product Quality Tools	Completeness check, product fill level, clip detection*	Completeness check, product fill level, clip and product trapped in seal detection*
Compliance	User management, segregation of rejected goods, reject confirmation including manual verification, bin full and almost full sensors. Product validation feature and performance verification routine (PVR). Fully lockable inspection tunnel	
Conveyor Speed	10-60 m/min**	10-100 m/min**
Lane Configurations	Single	Single and Multi-lane
Throughput Rate	300 products/min**	1000 products/min**
Maximum Product Height	200 mm	
Product Set-up	Automatic configuration and fast set-up with ContamPlus	
X-ray Detector	300 or 400 mm length, HiGain technology	300 or 400 mm length, HiGain+ technology
X-ray Generator	Optimum Power 100 W, up to 84 kV, up to 3.3 mA Glass tube***	Optimum Power 100 W, up to 84 kV, up to 3.3 mA Beryllium tube
Operator Safety	X-ray emissions <1uSv/hr, fully contained within construction, lead-free curtains with non-contact safety interlocks	
Cooling Method	Air Conditioner	
Environmental Conditions	Operating humidity up to 90% RH. Operating temperature 5-40°C	
Power Supply	208-240 Vac, 1 Phase, 50-60Hz, 10A max	
Pneumatic Supply	6 Bar(g) clean air supply required for air operated reject system. With built-in pressure monitoring	
Hygienic Features	Durable body in 304 Stainless Steel, with anti-accumulation sloped surfaces. Finish 180-240 Grit brushed on main components. Toolless removable belt and curtains. Integrated cable management	
External Interface	Customer dedicated 5 digital inputs 8 digital outputs, dependent on product configuration	
Ingress Protection	IP65 or IP66 (AC enclosure side IP56, ambient side IP34)	IP65, IP66 (AC enclosure side IP56, ambient side IP34), or IP69 (AC enclosure side IP69, ambient side IP34)
Operating Height	750 mm, 850 mm, 950 mm, 1050 mm or 1150 mm (+/- 50 mm)	
System Conveyor	FDA and EU food use approved TPU conveyor belt 90 W motor unit, 38 mm diameter infeed roller, 50 mm diameter outfeed roller	
System Length	800, 1300, 1800 or 2000 mm	
Screen Display	15.6" Capacitive Touchscreen display (16:9 aspect ratio)	
Reject Type*	Pusher, Air blast, and Drop flap	
Operating System	Concurrent algorithms Flex system software with Microsoft Windows 10 (upgradable via USB)	
Traceability Options	Event log tracks changes of parameters, users and products. Product traceability through recorded image database, accessed via USB, ProdX, Ethernet/IP	
Product Handling	Optional infeed or full-length guide rails, optional in-feed and out-feed lights	
Service	Remote support ready	

* dependant on application

** dependant on product dimensions

***For 800mm Optimum Power 150W, up to 85kV, up to 3.0mA Glass tube'

METTLER TOLEDO Group
Product Inspection Division
Local contact: www.mt.com/contacts

www.mt.com/xray-X2

For more information

Subject to technical changes.
©04/2023METTLER TOLEDO. All rights reserved.
SLRX2DS032023