

# Compact. High-Speed. Precise.



### Compact Design to Maximize Line Space

With a system length of 700 millimeters, including an integrated reject, the compact solution can be installed into the smallest of spaces to avoid line constraints when space is at a premium.



### Inspection at High Speeds

Designed to offer the highest levels of contamination detection at line speeds of up to 120 m/min. A 100 watt Optimum Power Generator and 0.4 millimeter diodes support reaching maximum detection sensitivity levels.



### Precise Detection of Contaminants

An optimized focal distance for individual packs combined with METTLER TOLEDO ContamPlus™ x-ray inspection software enhances detection levels, increases probability of detection and reduces product waste.

### Small Individual Pack Inspection The X34C X-ray System

The X34C X-ray Inspection System is a single lane solution designed to inspect small products at high line speed. The X34C combines the smallest overall footprint with an optimized inspection distance to enhance detection of contaminated or non-conforming, individually wrapped products.

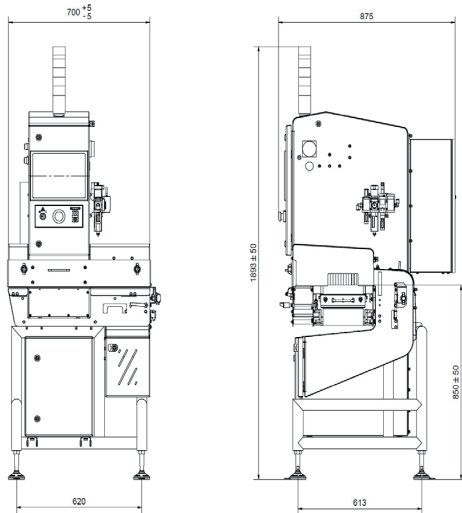


### Fast and Repeatable Product Changeovers

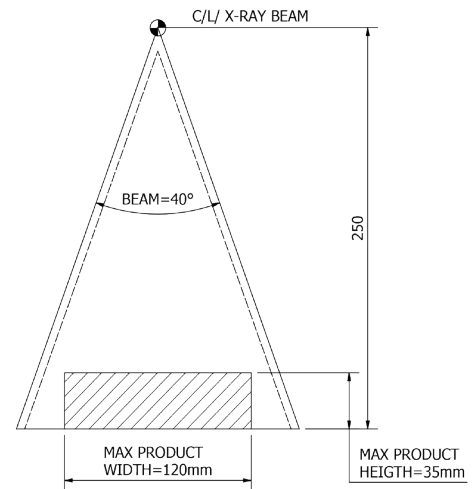
An easy-to-use interface simplifies product changeovers and machine operation, reducing the possibility of human programming errors and the need for training.

Thanks to the short overall length, the X34C can be placed at a variety of insertion points along the production line. This allows for the removal of individual contaminated products before they are placed into the final packaging, reducing unnecessary product waste.

## Technical Details



X34C Series – 700 mm long



X34C Series beam diagram with 200 mm scan width

## Specification Table

Feature	Specifications
Conveyor Speed	Typical line speeds 10 - 120 m/min (dependent on product dimensions and testing results)*
Lane Configurations	Single lane applications
Throughput Rate	Up to 750 products per minute
Maximum Product Height	35 mm
X-ray Detector	200 mm - 0.4 mm diode size
X-ray Generator	Optimum Power 100 W, up to 84 kV, up to 3.3 mA, Beryllium tube
X-ray Beams	Single vertical beam
X-ray Emissions	<1 uSv/hr
X-ray Protections	Fully contained emissions within construction, lightweight lead-free black curtains
Cooling Method	Active Cooling or Air Conditioner options**
Operating Humidity	Up to 75% RH (dry environments)
Operating Temperature	Active Cooling -5 – 30 °C Air Conditioner -5 – 40 °C
Power Supply	208 - 240 Vac, 1 phase, 50-60 Hz, 10 A max 100 - 120 Vac, 1 phase, 50-60 Hz, 16 A max
Pneumatic Supply	6 Bar(g) clean air supply required for air operated reject system
Casing Material	304 stainless steel
Finish	180-240 Grit Brushed on main components
Ingress Protection	IP55 or IP65
Operating Height	850 mm, 950 mm or 1050 mm (+/- 50 mm)
System Conveyor	FDA and EU food use approved TPU conveyor belt, 145 kW motor unit, 38 mm diameter roll ends
System Length	700 mm
Screen Display	10.1" Capacitive Touchscreen display (16:9 aspect ratio)
Reject Type	Airblast
Reject Collection	Lockable bin
Operating System	Microsoft Windows 10
Connectivity Options	Ethernet and USB connection available
Traceability Options	Full event log tracks changes of parameters, users and products
UL Approved	Yes

\*Speeds less than 40 m/min would require product handling checks

\*\*IP rating varies depending on cooling solution

**METTLER TOLEDO Group**  
Product Inspection Division  
Safeline X-ray  
Local contact: [www.mt.com/contacts](http://www.mt.com/contacts)

[www.mt.com/safeline-xray](http://www.mt.com/safeline-xray)

For more information

Subject to technical changes  
© 12/2021 METTLER TOLEDO. All rights reserved  
PI-XR-DS-EN-122021